

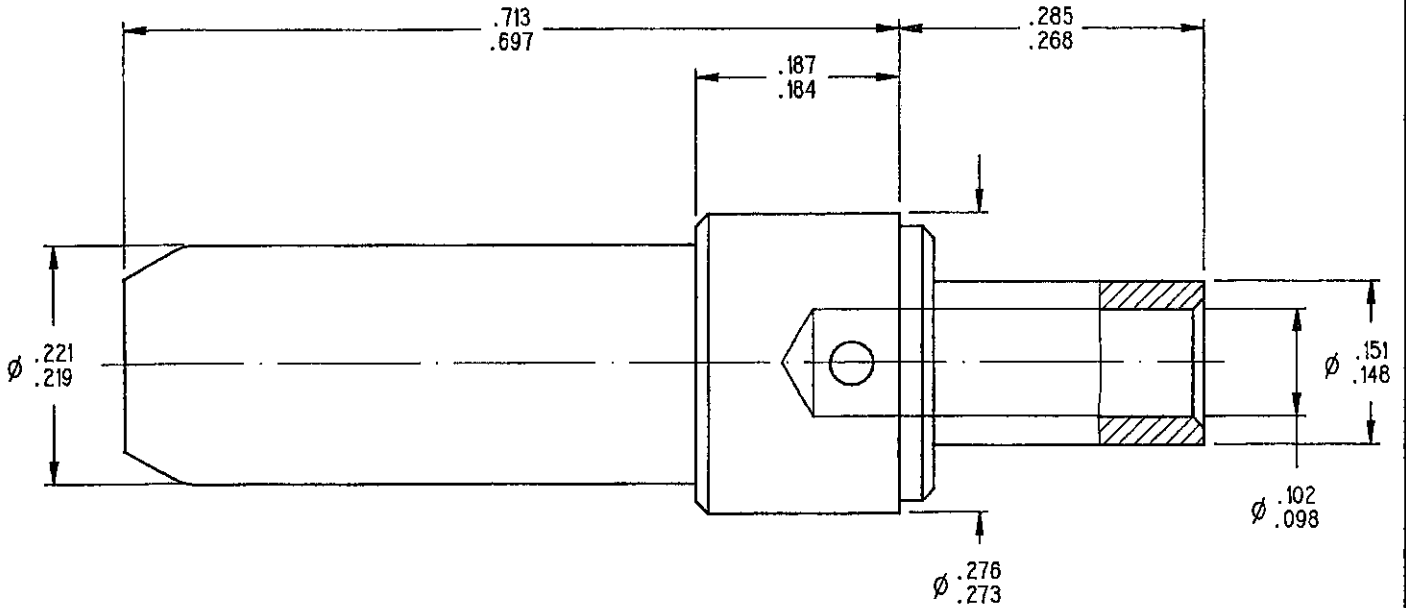


Séries  
DSX

POWER PIN CONTACT FOR SIZE 5 CAVITY  
AWG 12 AND 14 CABLES

Issue:  
18 JAN. 95

Page  
1 / 1



MATERIAL AND FINISH:  
COPPER ALLOY\_GOLD (.00005) OVER NICKEL PLATED

STRIP LENGTH: .315

TOOLING

CRIMPING TOOL: DANIELS M300BT  
SELECTOR SET 1 FOR AWG 12 CABLE  
SELECTOR SET 1 FOR AWG 14 CABLE  
POSITIONER: 282557

EXTRACTION TOOL: M81969/28\_01

This information is given as an indication in the continual goal to improve our products, we reserve the right to make any modifications judged necessary.

412\_9311

CREATION				
PEN: M95400001				
NOM: JP MACARI				
DATE: 18 JAN. 95				
APPR.:	03 13 95	ADD. SELECTOR SET 1	GOMBERT	EL DOKHTAY
	Issue	Revisions	Name	Approved